



FL-1200-BLK

FL1200-OAK

**FEATURES**

- 11 gauge steel construction
- Choice of three different insert panels
- One piece assembly
- Available in black or oak sandtex finish
- Flip back door for cable exit
- Lift-off full access door
- Installs well in wood stage or computer floors

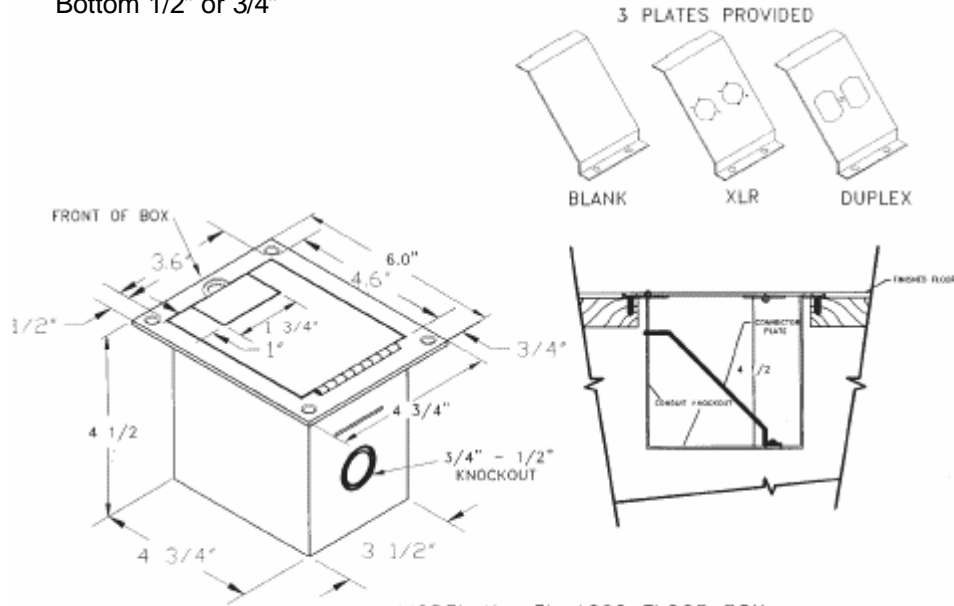
The **FL-1200** Floor Box is designed for wood stage or raised access computer floors. The assembly handles power, audio, video, and data in one practical box.

The lift-up full door section of the cover allows access to internal connector plates and stored cables, and the smaller hinged access door flips back to allow cable exit. When not in use, the cover is completely closed allowing unencumbered travel in the area.

Unit ships with three different insert plates. One plate is punched for two D Series Switchcraft connectors (not included), a second plate is punched for one duplex AC outlet (not included), and the third plate is blank and can be customized by RCI Custom Products with any connector configuration desired.

**SPECIFICATIONS:**

- Size: Top 6"x 4-3/4"x 1/8"  
Box 4-5/8"x 3-3/8"x 4-1/2"  
Weight: 2 3/4 lbs.  
Knockouts: Back 1/2" or 3/4"  
Bottom 1/2" or 3/4"



STANDARD BARE-WOOD FLOOR FL-1200 FLOOR BOX

