



FL-1300-BLK

FL1300-OAK

**FEATURES**

- 11 gauge steel construction
- Accepts standard 2 gang wall plate
- One piece assembly
- Available in Black or Oak Sandtex finish
- Flip back door for cable exit
- Lift-off full access door
- Installs well in wood stage or computer floors

The **FL-1300** Floor Box is designed for wood stage or raised access computer floors. The assembly handles power, audio, video, and data in one practical box.

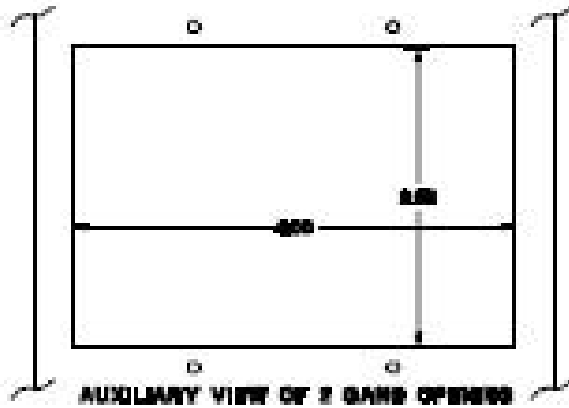
The lift-up full door section of the cover allows access to internal connector plates and stored cables, and the smaller hinged access door flips back to allow cable exit. When not in use, the cover is completely closed allowing unencumbered travel in the area.

Unit ships with one standard 2 gang wall plate, or separate RCI Custom Products wall plate may be ordered from the standard product catalog or by designing a custom 2 gang wall plate using the convenient online PanelBuilder design tool.

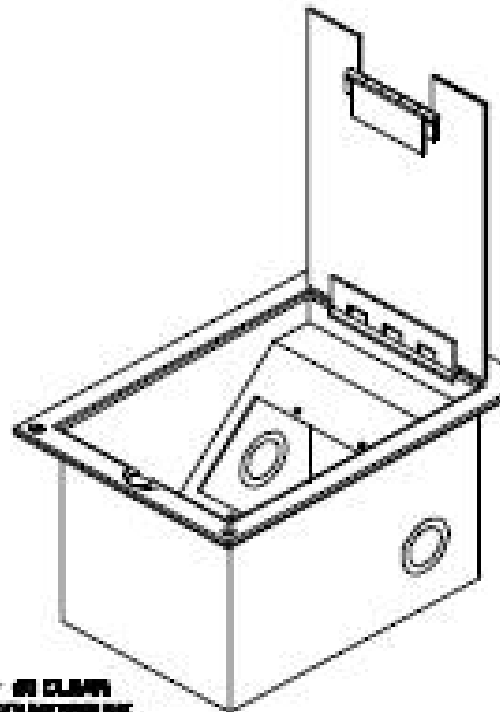
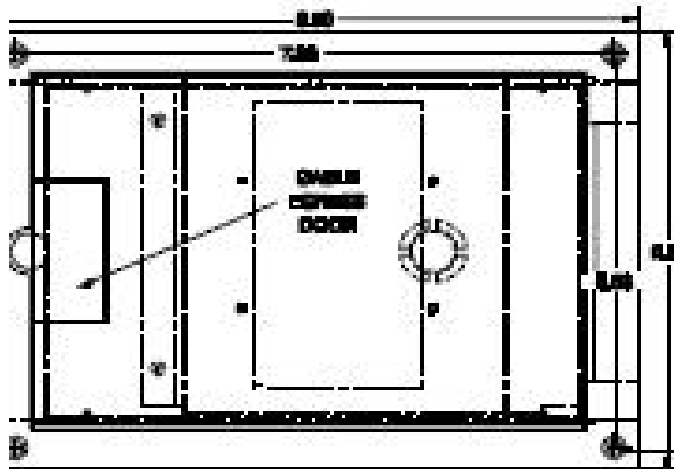
**SPECIFICATIONS:**

Size:	Top 8 1/2"x 6 1/8"x 1/8" Box 5 1/8"x 7 1/8"x 4 7/8"
Weight:	5 lbs.
Knockouts:	Back 2 knockouts 1/2" or 3/4" Bottom 1 knockout 1/2" or 3/4" Left & Right Sides 1 knockout 1/2" or 3/4"

**FL-1300 DIMENSIONS**



AUXILIARY VIEW OF 2 GANG OPENING



3/4" - 3/4" RIGID CUT  
HOLE TYPE

