

FL-710- Bottom



710P-BLP-C



710P-BSQ-C



710P-SLP-C



710P-SSQ-C



710P-BLK-C



710P-OAK-C

## FEATURES

- 11 gauge steel temporary construction cover included
- Choose floor box (correct depth) and cover type for complete assembly
- Add convenient RCI wall plates for total package
- Brass or aluminum carpet edging
- Total of 3 gang openings
- Flip back door for cable exit
- Allows for multiple box installations
- Lift-off full access door
- Leveling feet
- UL and CUL listed
- Scrub water approved
- Installs well in carpeted floors

The FL710P Floor Box is designed for conference rooms, auditoriums, courtrooms, churches and all general meeting spaces with concrete floors covered with carpet. The assembly handles power, audio, video, telecommunications and data in one elegant and practical box.

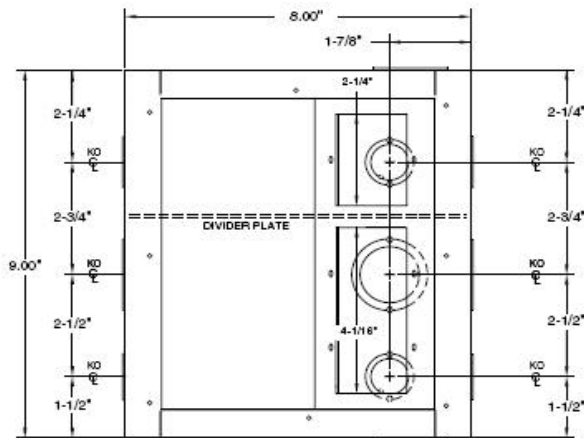
Enclosure designed to allow cables to pass through when wiring a group of floor boxes, connected in series.

The unit is not only UL and CUL listed, but has also passed the latest UL test for scrub water for carpeted, tile and wooden floors. Internally, two angled brackets mount 1 single gang, 1 double gang standard wall plates.

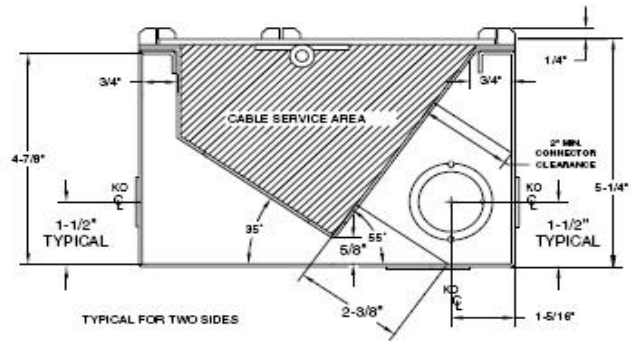
The lift-off section of the cover allows full access to internal connector plates and stored cables, and the smaller hinged access door flips back to allow cable exit. When not in use, the cover is completely closed allowing unencumbered travel in the area with only the hand-mitered, elegant carpet edge visible. This low profile edging is 1/4" high and is available in brass or aluminum.

**Floor Box Covers and Back Box Ordering Information**

Part Number	Description
<b>Covers- UL Scrub Water Rated for Tile and Carpet Installations</b>	
FL-710P-BLP-C	Cover with 1/4" brass carpet flange (lift-off door)
FL-710P-BSQ-C	Cover with 1/4" square brass flange (lift-off door)
FL-710P-SLP-C	Cover with 1/4" aluminum carpet flange (lift-off door)
FL-710P-SSQ-C	Cover with 1/4" square aluminum carpet flange (lift-off door)
<b>Flat Covers - Not Scrub Water Rated (Non UL)</b>	
FL-710P-BLK-C	Cover (no flange) with hinged door in black sandtex
FL-710P-OAK-C	Cover (no flange) with hinged door in light oak sandtex
<b>Back Boxes - Includes Steel Construction Cover</b>	
FL-710-Bottom	FL-710P back box - 5 1/4" deep (UL)



SIDE VIEW SHOWING INTERNAL BRACKET PLACEMENT



FL-710 FLOOR BOX CONNECTOR CLEARANCE

**SPECIFICATIONS:**

- Size: Box: 8"x 9"x 5 1/8", Cover: 7 1/8"x 8 1/8"x 1/8"
- Edging: Height: 1/4", brass or aluminum
- Weight: Box: 10.3 lbs., Cover: 3.1 lbs.
- Knockouts: Three: 1" or 1-1/4"  
Six: 1/2" or 3/4"